

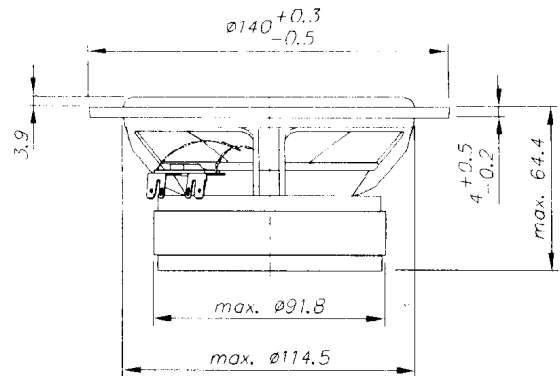
5" MIDRANGE

P13MH-00-08

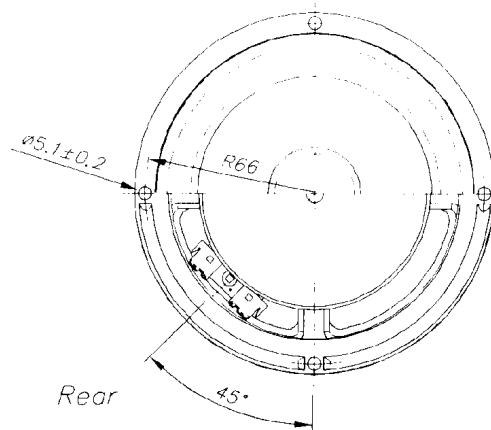
SPECIAL FEATURES:

- LOW RESONANCE
- VERY LOW DISTORTION
- OPTIMIZED OFF AXIS RESPONSE
- NEUTRAL MIDRANGE REPRODUCTION
- MINERAL FILLED POLY CONE
- VENTED THROUGH V.C. FORMER AND POLE PIECE

NOMINAL IMPEDANCE	8 Ω
VOICE COIL RESISTANCE	5.8 Ω
NOMINAL POWER (IEC 268-5)	40/90 W ¹⁾
SHORT TERM MAX. POWER (IEC 268-5)	650 W ²⁾
LONG TERM MAX. POWER (IEC 268-5)	80 W ³⁾
OPERATING POWER	5.0 W
SENSITIVITY (1W, 1m) / (2.83V, 1m)	89/89 dB
FREQUENCY RANGE	0.2 - 6 kHz
FREE AIR RESONANCE	60 Hz
VOICE COIL DIAMETER	25 mm
VOICE COIL HEIGHT	8 mm
AIR GAP HEIGHT	6 mm
EFFECTIVE DIAPHRAGM AREA	86 cm ²
MOVING MASS (incl. air)	6.5 g
MAGNET WEIGHT (14.6 oz)	415 g
FORCE FACTOR, B x L	5.8 Txm
Vas	11.4 ltr
Qms	1.42
Qes	0.42
Qts	0.32



Front



Rear

P13MH-00-08

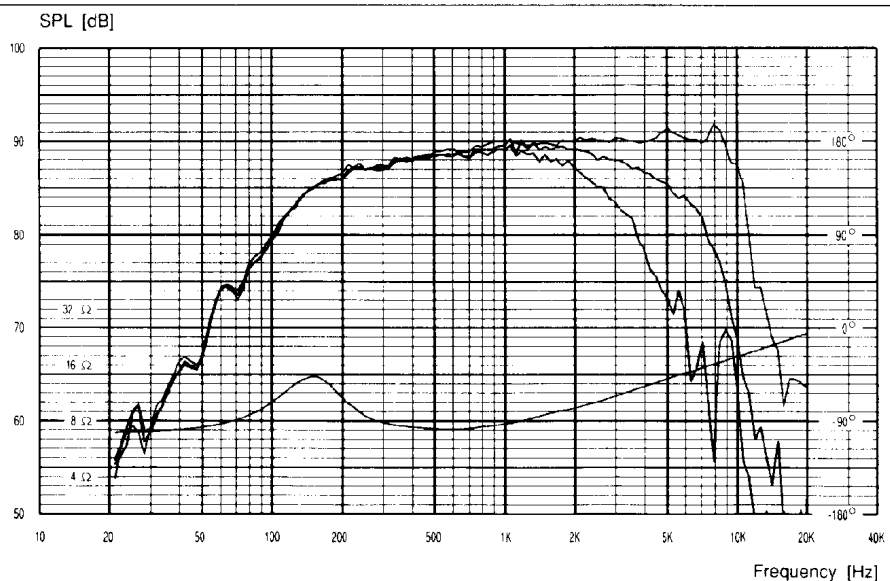
DISPERSION PLOT
0, 30 and 60 deg.

Input: 2.83 V
Mic.: 1 m

1.8 ltr. box mounted in
infinite baffle.

27.01.95 BD

Anechoic room 6x7x8 meters.
Half space free-field above 100 Hz.
Brüel & Kjær 2012 Audio Analyzer.

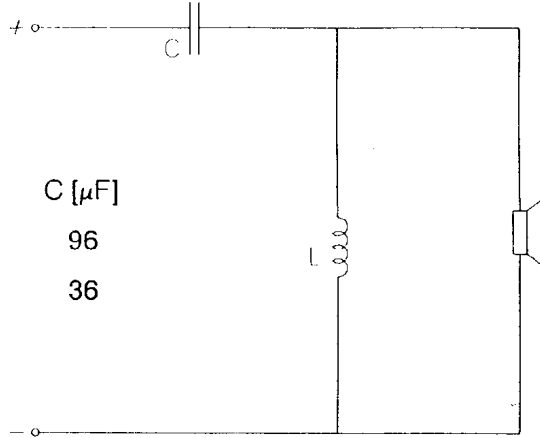


P13MH-00-08

Applications

Recommended cross over:

Nom. power [W]	Fc [Hz]	L [mH]	C [μ F]
40*	250	4.7	96
90*	500	3.3	36



*Power handling measured in 1.5 litre sealed enclosure.

The driver is designed to be used with low cross over frequencies. It may be used with 1st order cross overs.

For very high power handling 2nd order or more must be used.

A rear chamber of 1-2 litres is necessary.

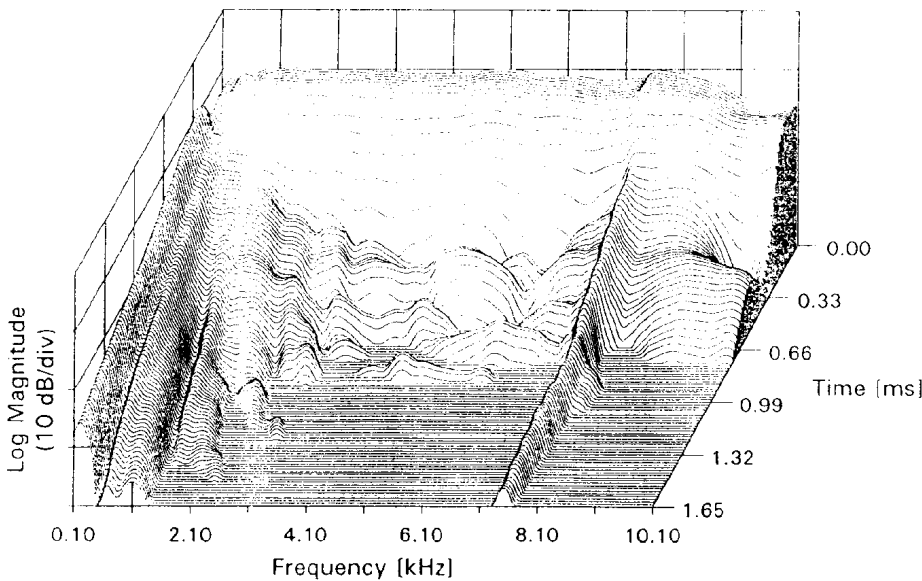
The internal damping should be high i.e. the volume should be stuffed with glass wool or similar.

The circuit 250 Hz, 4.7 mH and 96 μ F is used for long- and short term power handling tests.

Note 1-3) Power test conditions: Amb. temp. 21°C \pm 3°C, 1.5 litre sealed enclosure. Note 1) 100 hours continuous.

Note 2) Signal 1 sec., pause 1 min., repeated 60 times. Note 3) Signal 1 min., pause 2 min., repeated 10 times.

CUMULATIVE SPECTRAL DECAY PLOT



MLS impulse response

Samp. freq.: 120 kHz

Time window: 5 ms

Mic. distance: 0.15 m

Conditions:

Box: 1.8 l

Infinite baffle

Date: 20.12.94 Sign: PM