

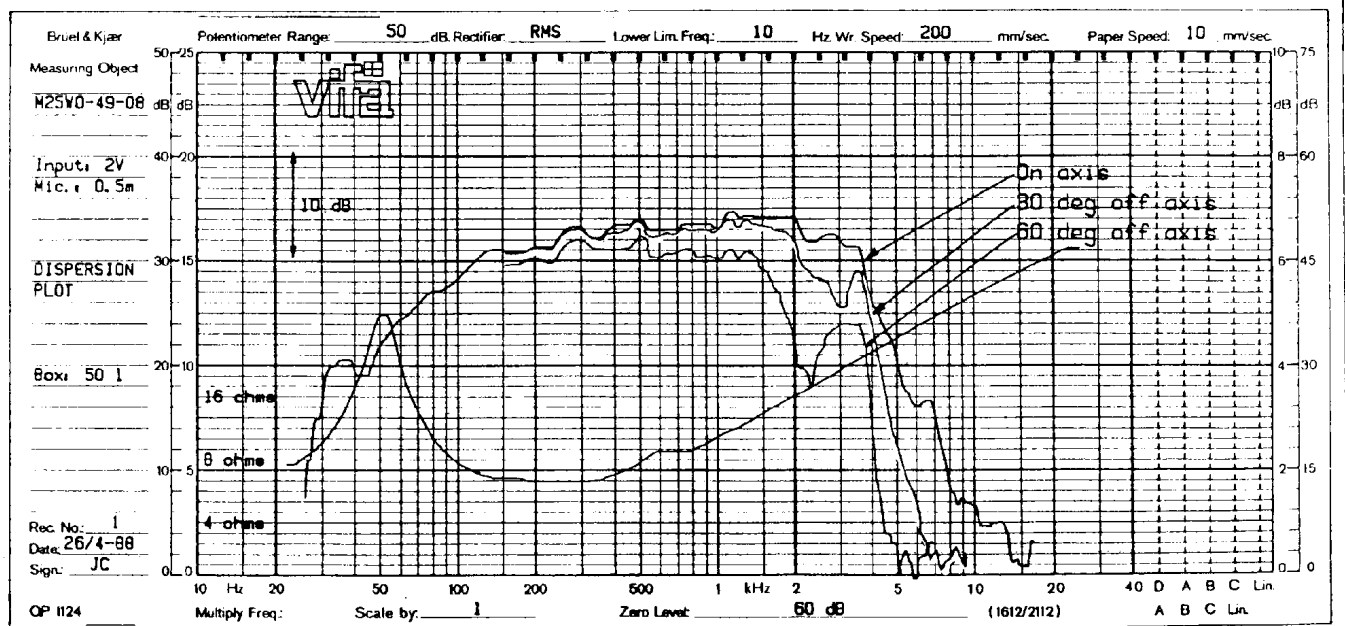
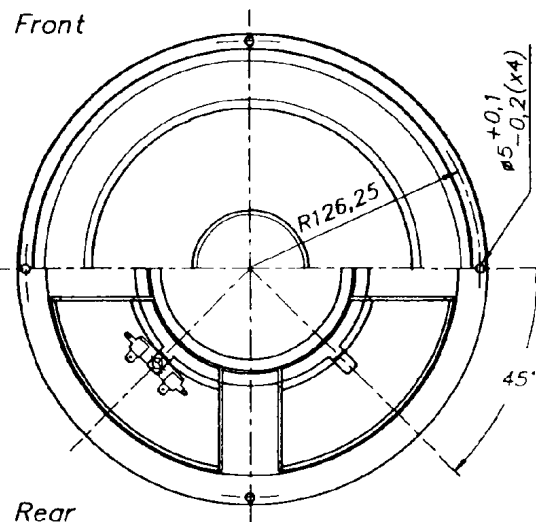
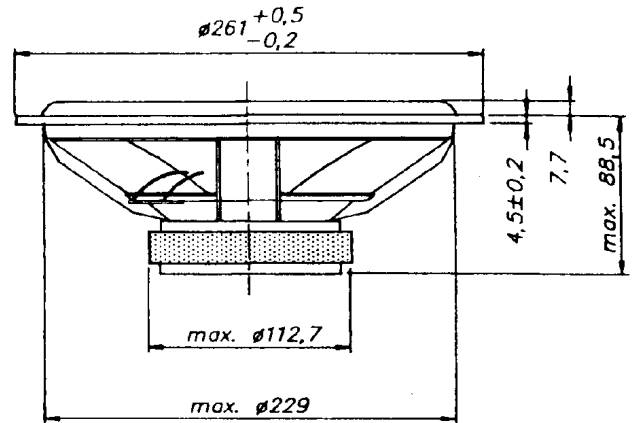
10" WOOFER

M25W0-49-08

SPECIAL FEATURES:

- MAGNESIUM BASKET
- SPECIAL PULP PAPER CONE
- SMOOTH FREQUENCY RESPONSE
- IDEAL FOR BASS REFLEX
- BLACK COATED PAPER CONE
- 4-LAYER VOICE COIL

NOMINAL IMPEDANCE	8 Ω
NOMINAL POWER (IEC 268-5)	80 W
MUSIC POWER (DIN 45.500)	120 W
FREQUENCY RANGE	25-2000 Hz
SENSITIVITY (1W, 1m)	90 dB
EFFECTIVE CONE AREA	346 cm ²
VOICE COIL RESISTANCE	5,7 Ω
VOICE COIL INDUCTANCE	2,2 mH
OPERATING POWER	4 W
VOICE COIL DIAMETER	40 mm
VOICE COIL HEIGHT	14 mm
AIR GAP HEIGHT	6 mm
FREE AIR RESONANCE	25 Hz
MOVING MASS (incl. air)	42 g
FORCE FACTOR, B x l	11,0 Txm
MAGNET WEIGHT	(24,6 oz) 698 g
Qms	3,7
Qes	0,31
Qts	0,29
Vas	164 ltr



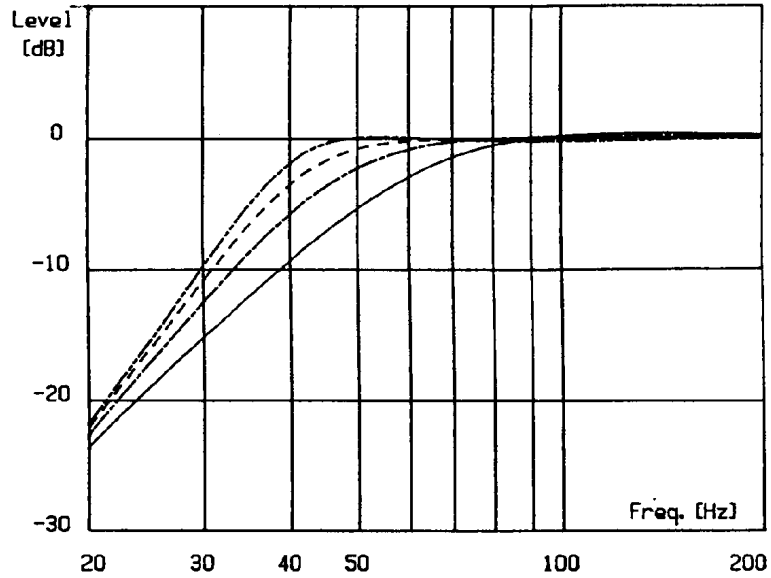
M25W0-49-08

Applications

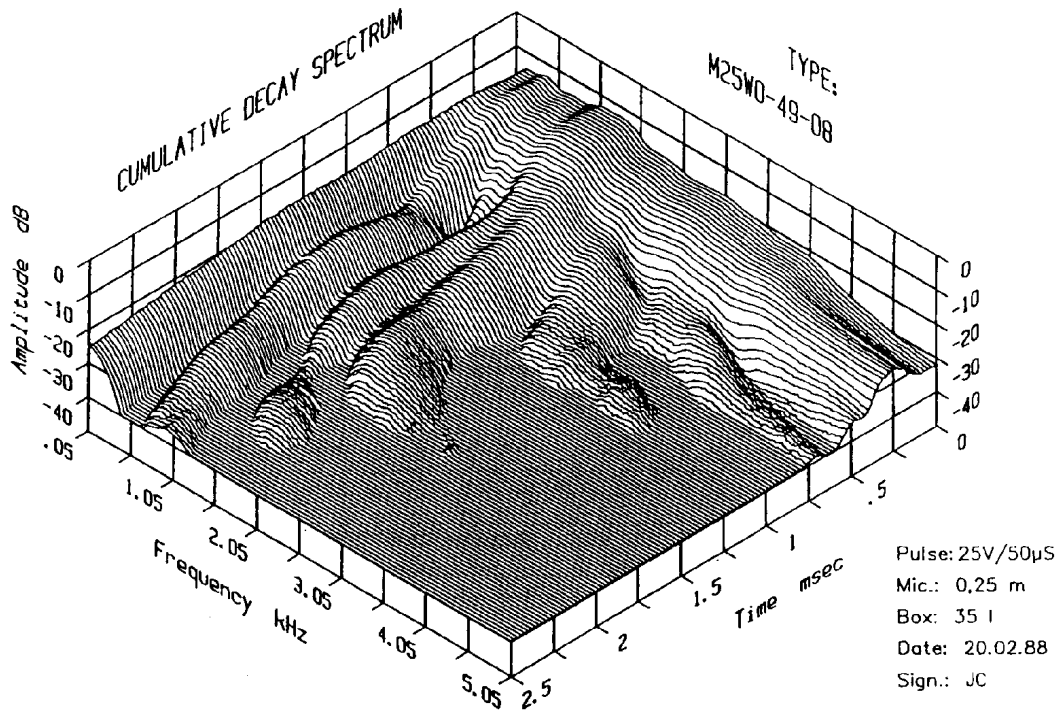
BASS REFLEX SYNTHESIS

	Vb [ltrs]	Fb [Hz]	Dp [cm]	Lp [cm]
1 ———	25	36	5.0	10.0
2 ———	40	38	7.5	12.0
3 - - -	55	38	7.5	7.6
4 - - -	70	38	7.5	5.0

Vb: Box Volume
 Fb: Tuning Frequency
 Dp: Port Diameter
 Lp: Port Length



The M25W0-49-08 is intended for bass reflex enclosures of 25-70 ltrs. A response having a moderate peak is obtainable in the same volume by choosing a higher tuning frequency Fb while a lower Fb gives a damped response.



Pulse: 25V/50µS
 Mic.: 0.25 m
 Box: 35 l
 Date: 20.02.88
 Sign.: JC