

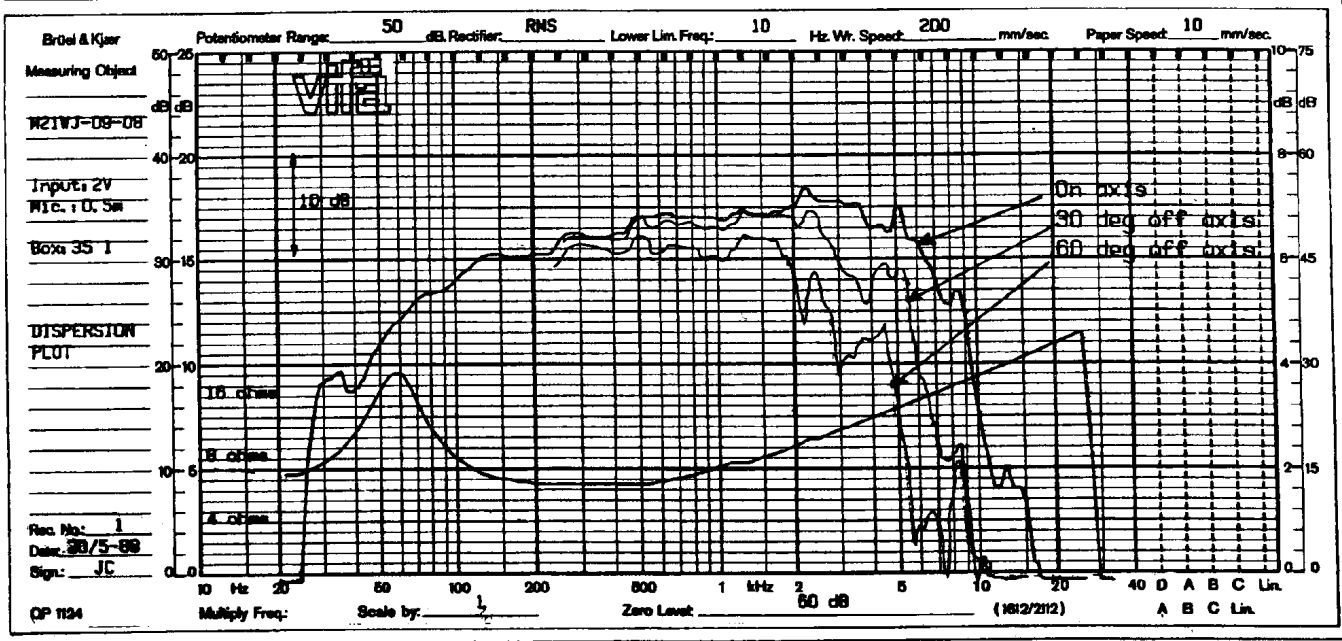
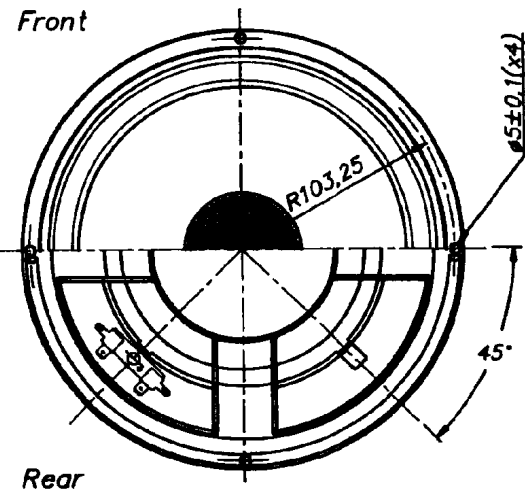
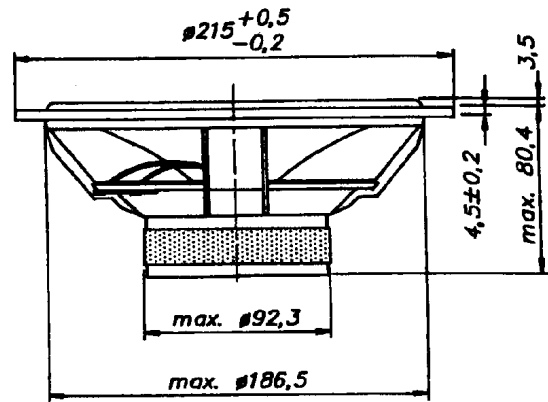
8" WOOFER

M21WJ-09-08

SPECIAL FEATURES:

- MAGNESIUM BASKET
- EXCELLENT LARGE SIGNAL BEHAVIOUR
- SUITED FOR BASS REFLEX
- BLACK COATED PAPER CONE
- HIGH DAMPING RUBBER SURROUND

NOMINAL IMPEDANCE	8 Ω
NOMINAL POWER (IEC 268-5)	80 W
MUSIC POWER (DIN 45.500)	120 W
FREQUENCY RANGE	29-5000 Hz
SENSITIVITY (1W, 1m)	91 dB
EFFECTIVE CONE AREA	239 cm ²
VOICE COIL RESISTANCE	5,8 Ω
VOICE COIL INDUCTANCE	0,9 mH
OPERATING POWER	3,2 W
VOICE COIL DIAMETER	32 mm
VOICE COIL HEIGHT	14 mm
AIR GAP HEIGHT	6 mm
FREE AIR RESONANCE	29 Hz
MOVING MASS (incl. air)	18 g
FORCE FACTOR, B x l	6,5 Txm
MAGNET WEIGHT	(14,6 oz) 415 g
Qms	1,2
Qes	0,45
Qts	0,36
Vas	136 ltr



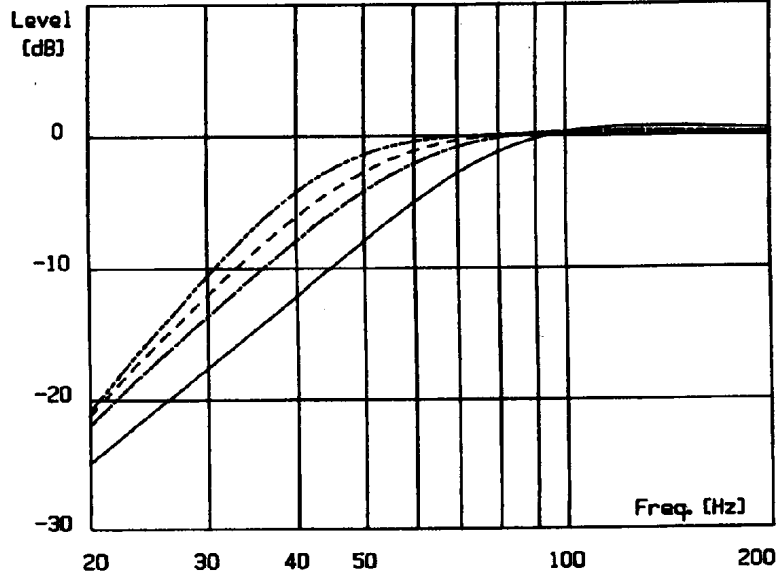
M21WJ-09-08

Applications

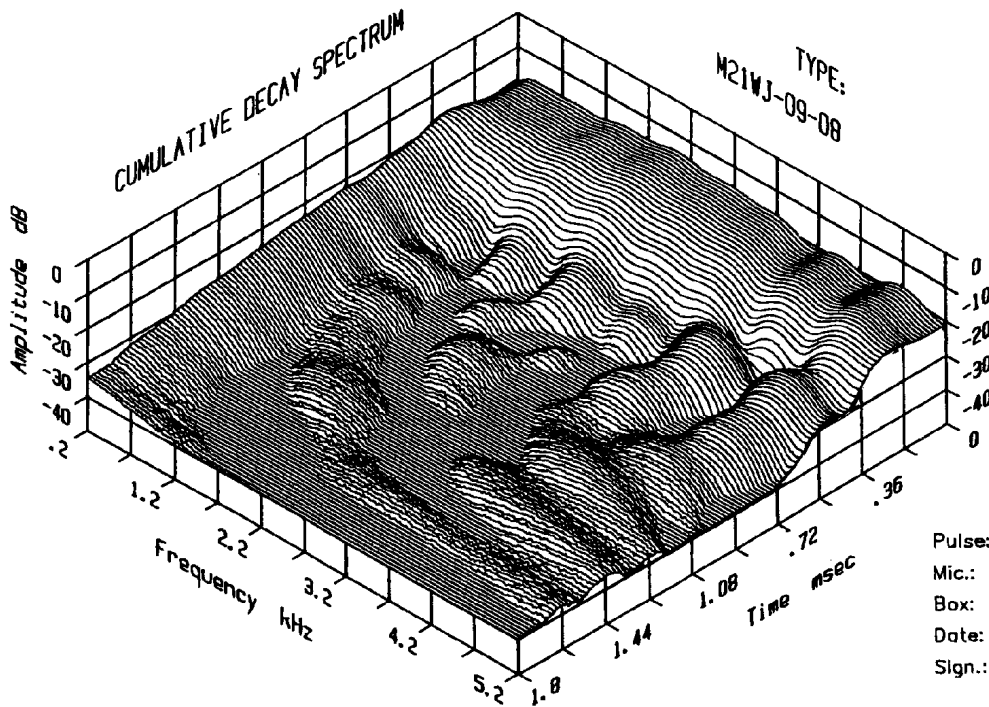
BASS REFLEX SYNTHESIS

	Vb [ltrs]	Fb [Hz]	Dp [cm]	Lp [cm]
1 ———	20	32	3.5	8.0
2 - - -	35	34	5.0	7.5
3 - - -	45	35	7.5	12.7
4 - - -	60	36	7.5	7.8

Vb: Box Volume
 Fb: Tuning Frequency
 Dp: Port Diameter
 Lp: Port Length



The M21WJ-09-08 is intended for bass reflex enclosures of 20-60 ltrs. or a closed box of 12-25 ltrs.
 A response having a moderate peak is obtainable in the same volume by choosing a higher tuning frequency Fb while a lower Fb gives a damped response.



Pulse: 25V/50µS
 Mic.: 0,25 m
 Box: 35 l
 Date: 02.12.87
 Sign.: PL