



Vifa-Speak A/S
DK-6920 Videbæk
Denmark

Fabrikation af kvalitetshøjtalere
Production of Quality Loudspeakers

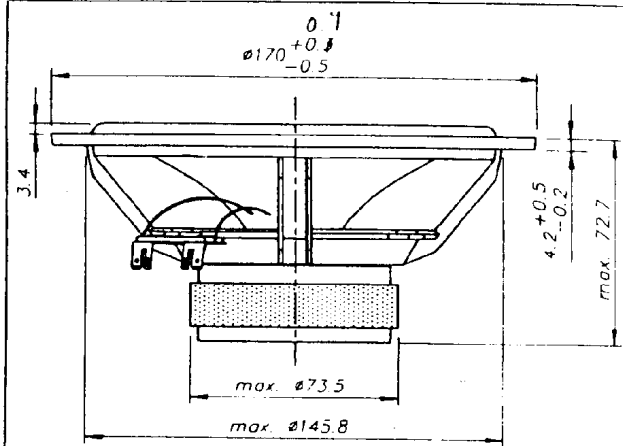
6 1/2" WOOFER

M17WG-09-08

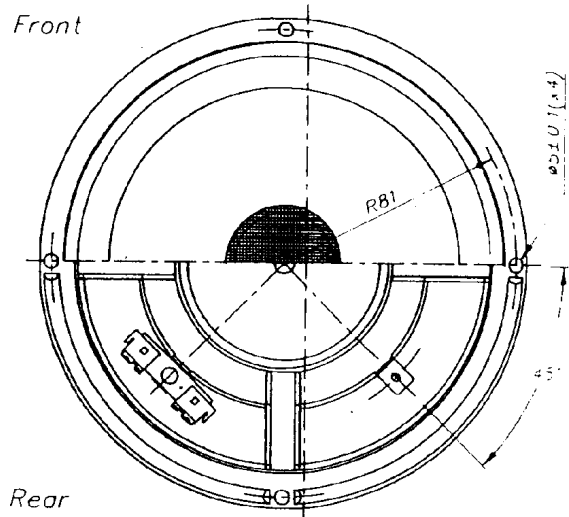
SPECIAL FEATURES:

- MAGNESIUM BASKET
- COATED PAPER CONE
- LOW DAMPING RUBBER SURROUND
- VENTED THROUGH POLE PIECE
- INTENDED FOR BASS REFLEX ENCLOSURES

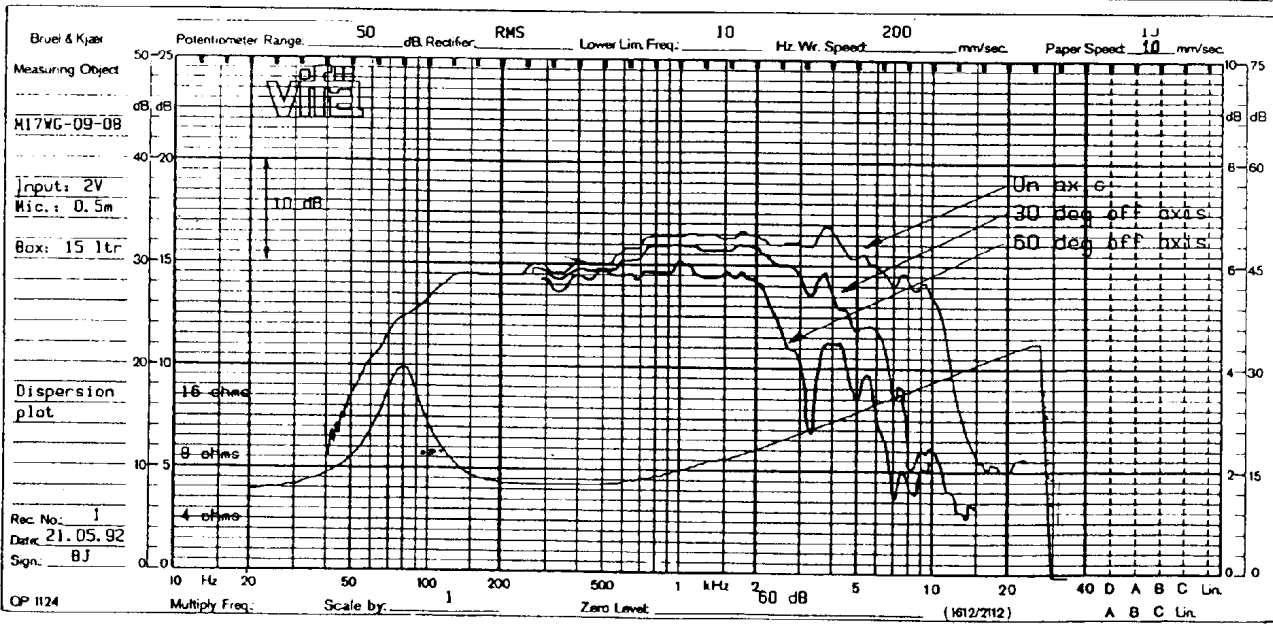
NOMINAL IMPEDANCE	8 Ω
VOICE COIL RESISTANCE	5.5 Ω
NOMINAL POWER (IEC 268-5)	60 W
MUSIC POWER (DIN 45500)	80 W
OPERATING POWER	5 W
SENSITIVITY (1W, 1m)/(2.83V, 1m)	89/89 dB
FREQUENCY RANGE	44-4000 Hz
FREE AIR RESONANCE	44 Hz
VOICE COIL DIAMETER	25 mm
VOICE COIL HEIGHT	10 mm
AIR GAP HEIGHT	6 mm
VOICE COIL INDUCTANCE	0.8 mH
EFFECTIVE CONE AREA	143 cm ²
MOVING MASS (incl. air)	11 g
MAGNET WEIGHT (8.5 oz)	240 g
FORCE FACTOR, B x L	5.6 T·xm
V _{as}	34 ltr
Q _{ms}	2.77
Q _{es}	0.56
Q _{ts}	0.46



Front



Rear



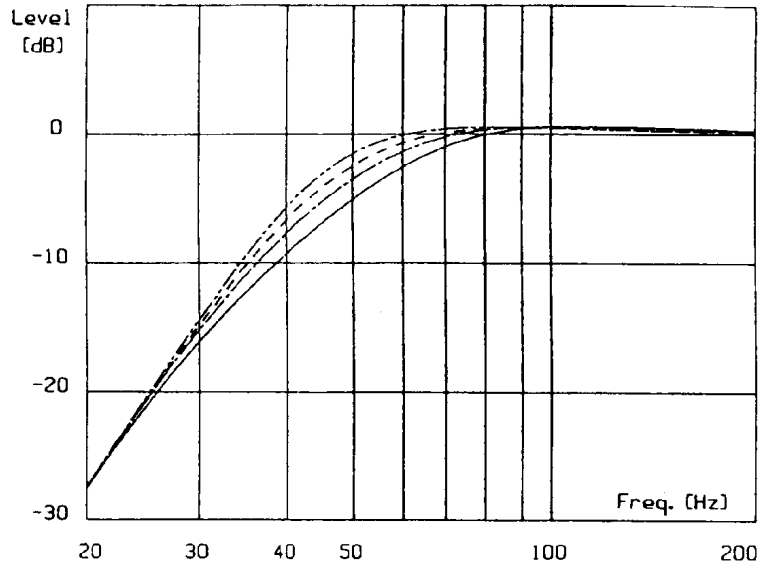
M17WG-09-08

Applications

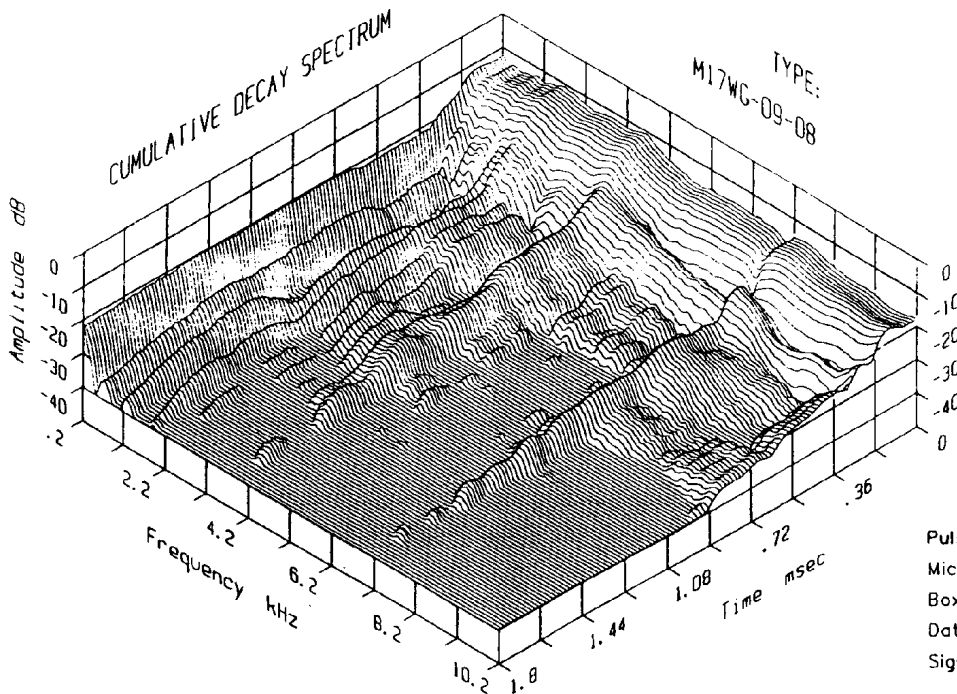
BASS REFLEX SYNTHESIS

	Vb [ltrs]	Fb [Hz]	Dp [cm]	Lp [cm]
1 ———	20	45	5.0	7.4
2 - - -	25	45	5.0	5.4
3 - - -	30	45	5.0	4.0
4 - - -	35	45	5.0	3.1

Vb: Box Volume
 Fb: Tuning Frequency
 Dp: Port Diameter
 Lp: Port Length



The M17WG-09-08 is intended for 2-way bass reflex systems. The best result is obtained in a 30-40 litre enclosure. The tuning frequency and bass response can be changed by choosing different bass reflex dimensions (Dp and Lp) in the same enclosure.



Pulse: 10V/25µS
 Mic.: 0,15 m
 Box: 320 l
 Date: 21.05.92
 Sign.: BJ