

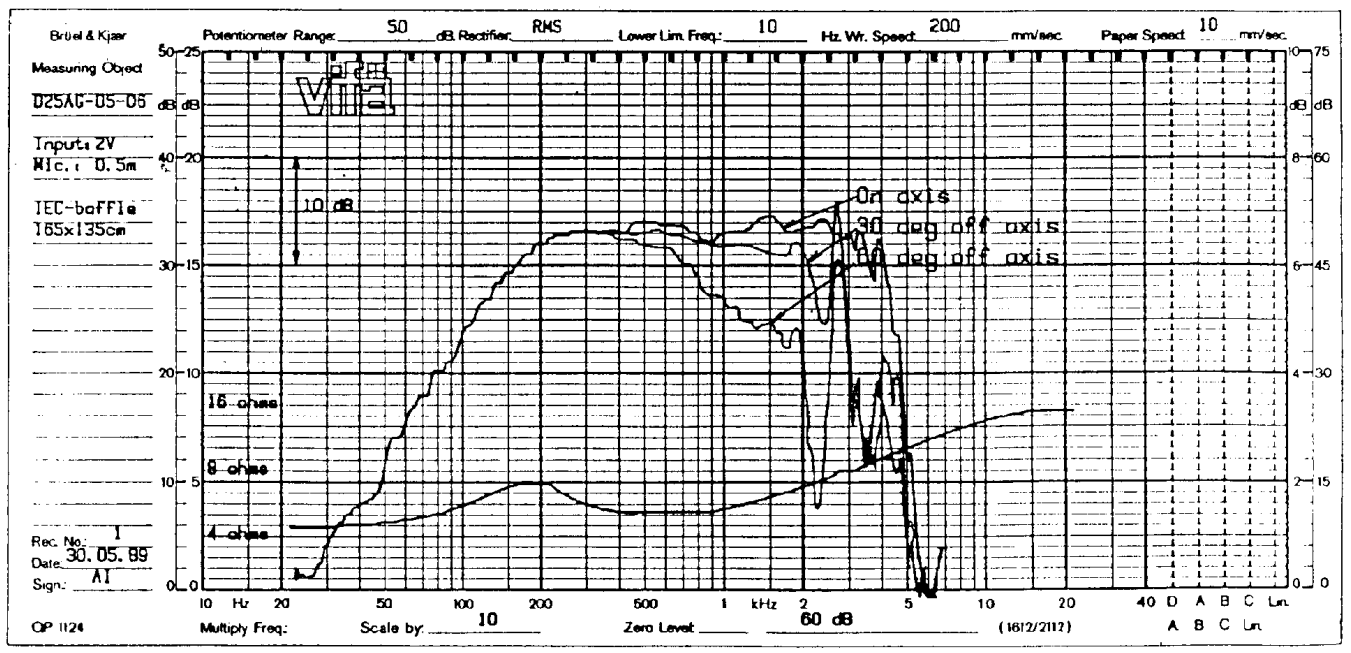
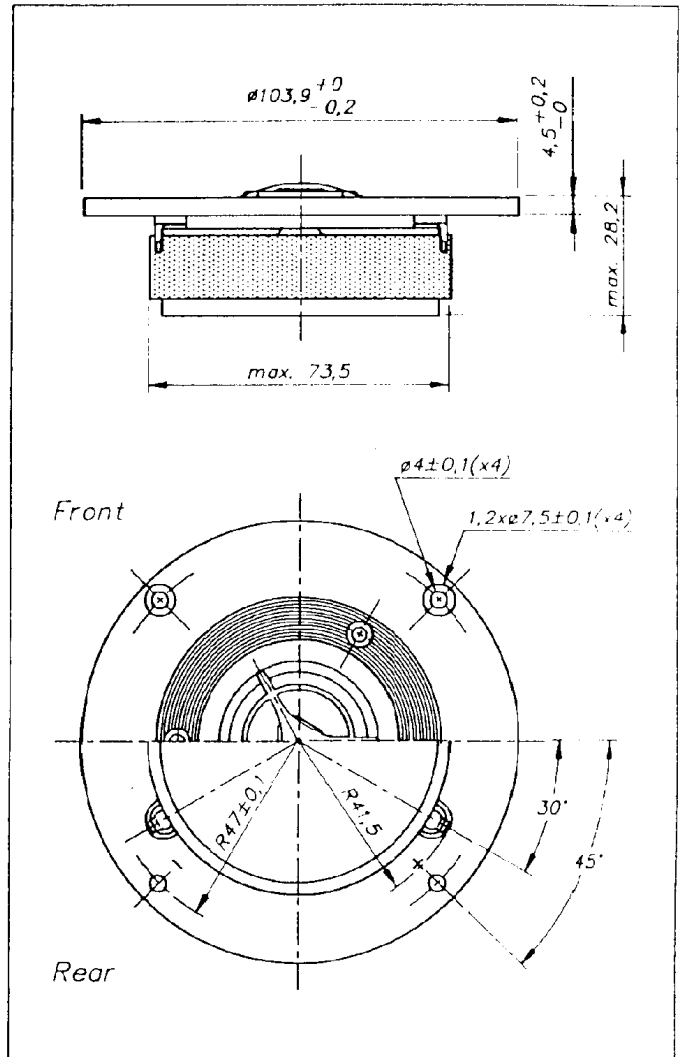
# 1" DOME TWEETER

# D25AG-05-06

### SPECIAL FEATURES:

- ALUMINIUM ALLOY DIAPHRAGM
- "BUTTERFLY" VC ASSEMBLY
- MAGNETIC FLUID
- HIGH LOSS SUSPENSION
- PISTON MOVEMENT TO ABOVE 20KHZ
- HIGH PRECISION PHASE SHIELD
- PREPARED FOR CUSTOMIZED FRONT

NOMINAL IMPEDANCE	6 Ω
NOMINAL POWER (IEC 268-5)	100 W
FREQUENCY RANGE	2,5-35 kHz
SENSITIVITY (1W, 1m)	90 dB
EFFECTIVE DIAPHRAGM AREA	7,1 cm <sup>2</sup>
VOICE COIL RESISTANCE	4,6 Ω
OPERATING POWER	4 W
VOICE COIL DIAMETER	25 mm
VOICE COIL HEIGHT	1,6 mm
AIR GAP HEIGHT	2 mm
FREE AIR RESONANCE	1500 Hz
MOVING MASS (incl. air)	0,3 g
FORCE FACTOR, B x l	3,5 Txm
MAGNET WEIGHT	(8,5 oz) 240 g

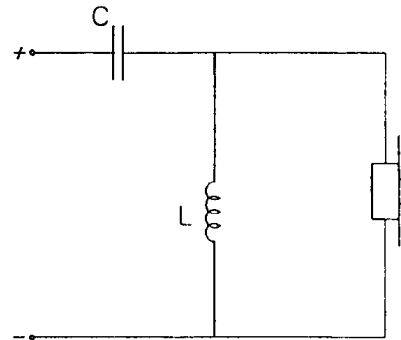


# D25AG-05-06

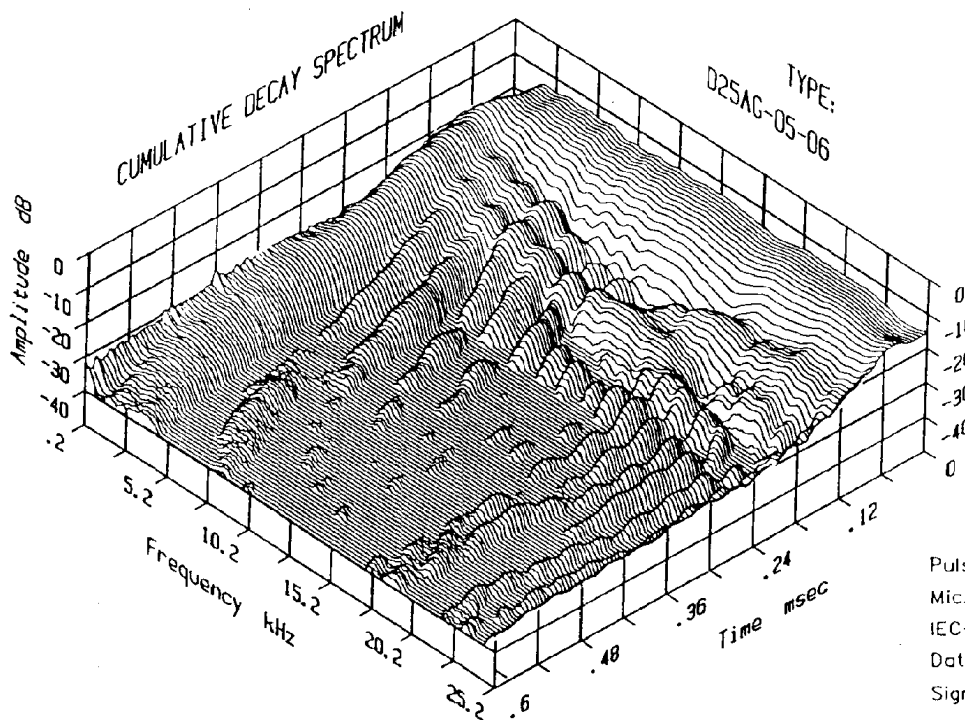
# Applications

Recommended x-over:

Nom. power [W]	Fc [Hz]	L [mH]	C [ $\mu$ F]
100	4000	0,22	8



It is strongly recommended to use at least 2'nd order (12 dB/oct) x-over for D25AG-05-06. The impedance load provided by the x-over should be as low as possible at the tweeter res. frequency. This will ensure maximum electrical damping, and consequently minimum excursion. This is essential for high power input.



Pulse: 10V/15 $\mu$ S  
 Mic.: 0,15 m  
 IEC-Baffle  
 Date: 12.04.89  
 Sign.: AI