

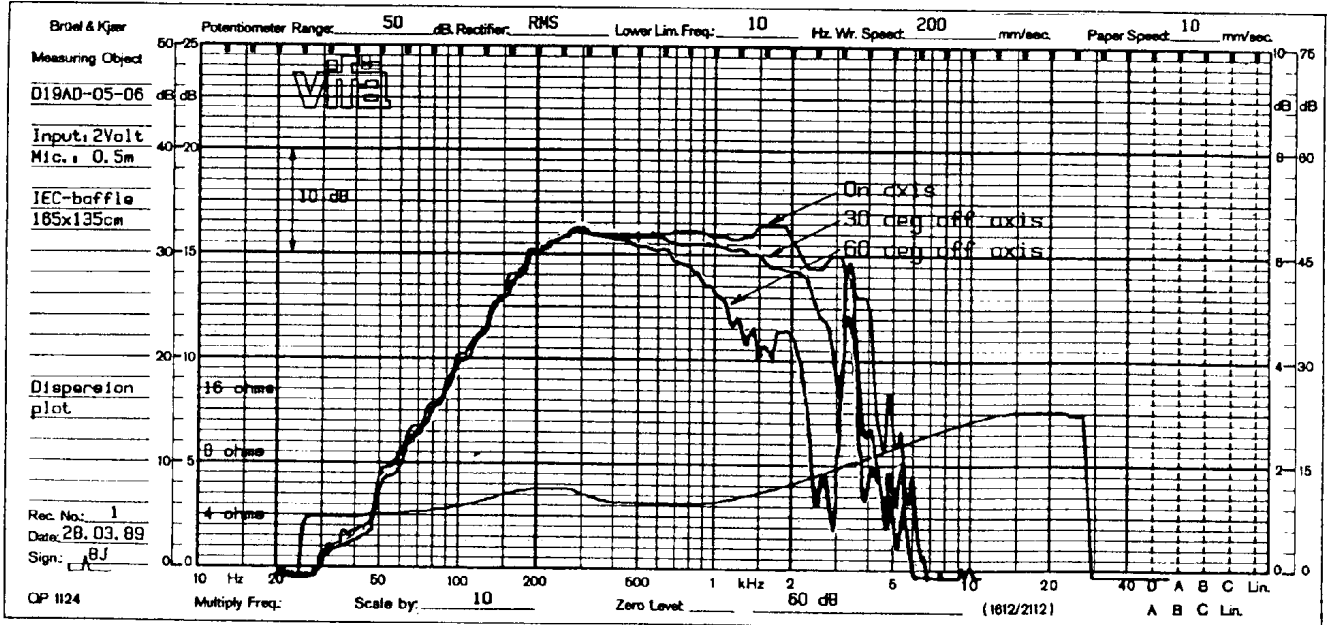
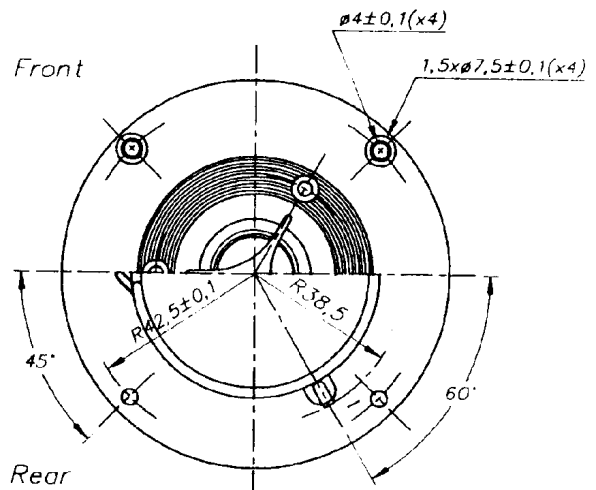
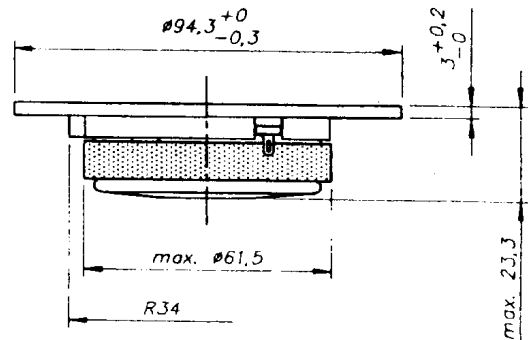
3/4" DOME TWEETER

D19AD-05-06

SPECIAL FEATURES:

- ALUMINIUM ALLOY DIAPHRAGM
- "BUTTERFLY" VC ASSEMBLY
- MAGNETIC FLUID
- HIGH LOSS SUSPENSION
- PISTON MOVEMENT TO ABOVE 20KHZ
- HIGH PRECISION PHASE SHIELD
- PREPARED FOR CUSTOMIZED FRONT

NOMINAL IMPEDANCE	6 Ω
NOMINAL POWER (IEC 268-5)	100 W
FREQUENCY RANGE	3-20 kHz
SENSITIVITY (1W, 1m)	87,5 dB
EFFECTIVE DIAPHRAGM AREA	4,4 cm ²
VOICE COIL RESISTANCE	4,2 Ω
OPERATING POWER	7,1 W
VOICE COIL DIAMETER	19 mm
VOICE COIL HEIGHT	1,3 mm
AIR GAP HEIGHT	2 mm
FREE AIR RESONANCE	1700 Hz
MOVING MASS (incl. air)	0,2 g
FORCE FACTOR, B x l	2,2 Txm
MAGNET WEIGHT	(3,7 oz) 105 g

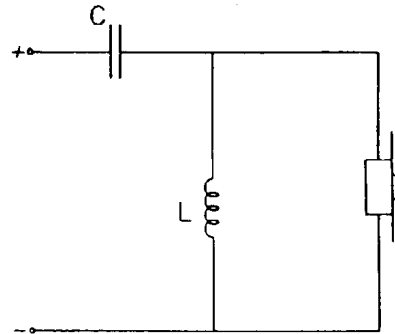


D19AD-05-06

Applications

Recommended x-over:

Nom. power [W]	Fc [Hz]	L [mH]	C [μ F]
100	5000	0,33	3,3



It is strongly recommended to use at least 2'nd order (12 dB/oct) x-over for D19AD-05-06. The impedance load provided by the x-over should be as low as possible at the tweeter res. frequency. This will ensure maximum electrical damping, and consequently minimum excursion. This is essential for high power input.

