



Vifa-Speak A/S

DK-6920 Videbæk
Denmark

Fabrikation af kvalitetshøjtalere
Production of Quality Loudspeakers

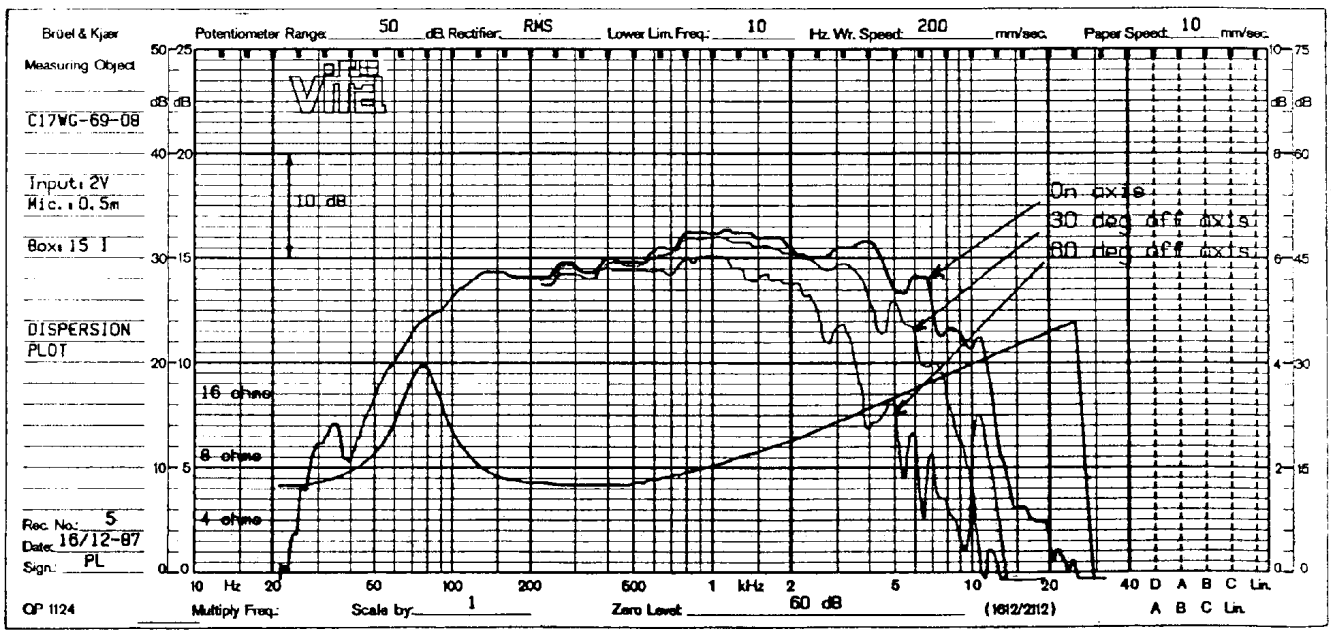
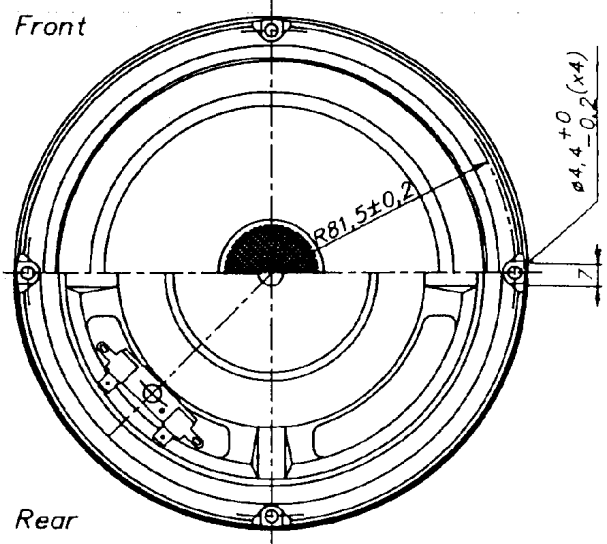
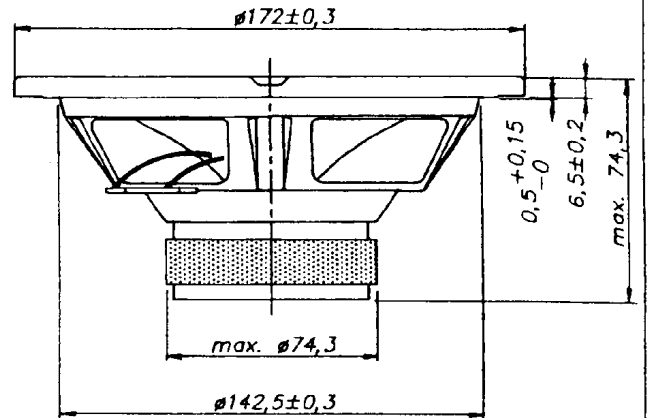
6 1/2" WOOFER

C17WG-69-08

SPECIAL FEATURES:

- SPECIAL BLACK COATED CONE
- VERY SMOOTH FREQUENCY RESPONSE
- OPTIMIZED FOR LARGE SIGNALS
- BUILT IN DECOR RING

NOMINAL IMPEDANCE	8 Ω
NOMINAL POWER (IEC 268-5)	50 W
MUSIC POWER (DIN 45500)	80 W
FREQUENCY RANGE	43-5000 Hz
SENSITIVITY (1W, 1m)	89 dB
EFFECTIVE CONE AREA	143 cm ²
VOICE COIL RESISTANCE	5,6 Ω
VOICE COIL INDUCTANCE	0,7 mH
OPERATING POWER	5 W
VOICE COIL DIAMETER	25 mm
VOICE COIL HEIGHT	12 mm
AIR GAP HEIGHT	6 mm
FREE AIR RESONANCE	44 Hz
MOVING MASS (incl. air)	10,6 g
FORCE FACTOR, B x l	4,9 Txm
MAGNET WEIGHT	(8,5 oz) 240 g
Qms	2,9
Qes	0,68
Qts	0,55
Vas	35,8 ltr



C17WG-69-08

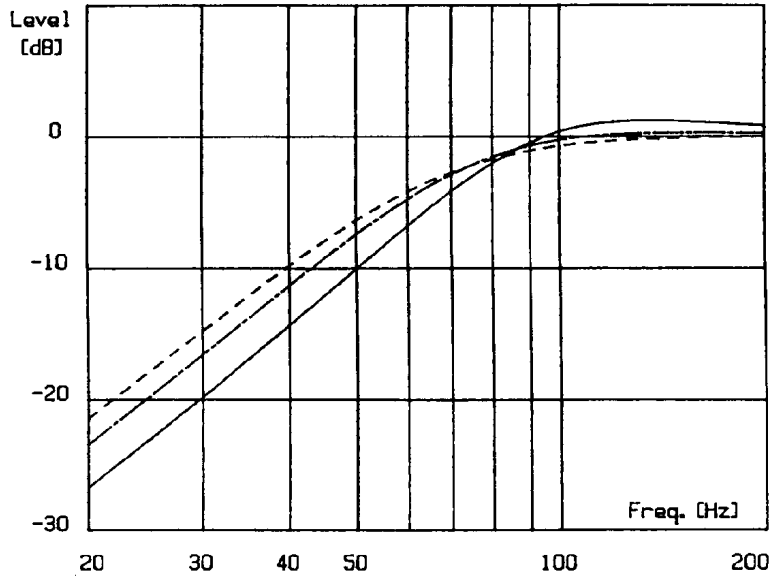
Applications

CLOSED BOX SYNTHESIS

	Vb [Litres]	F _{0b} [Hz]	Q _{tsb}
1 ———	10	94	,99
2 ———	17	78	,82
3 - - -	25	69	,72

Vb : Box volume
 F_{0b} : Res. freq. in box
 Q_{tsb} : Total Q in box

Moderate box damping (R_m=1 Ns/m)



The C17WG-69-08 is intended for a closed box of 10-15 litres.
 The Q of the box can be lower by adding damping material (glass wool or similar).
 This will also slightly shift the resonance frequency downwards.

