

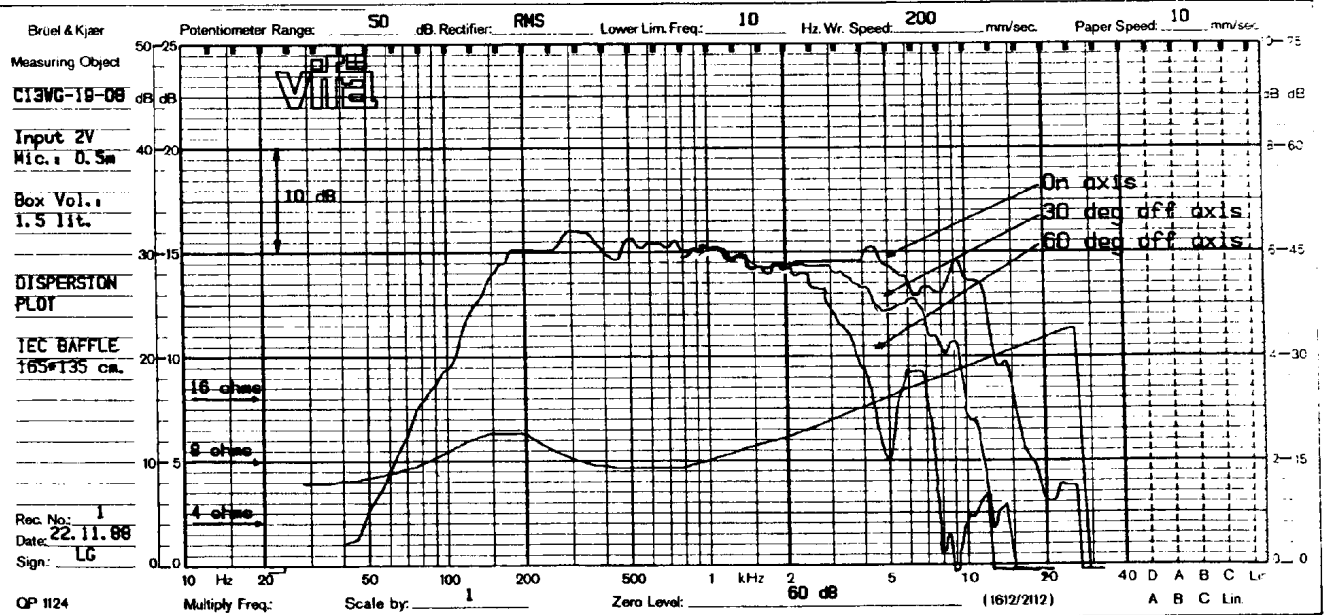
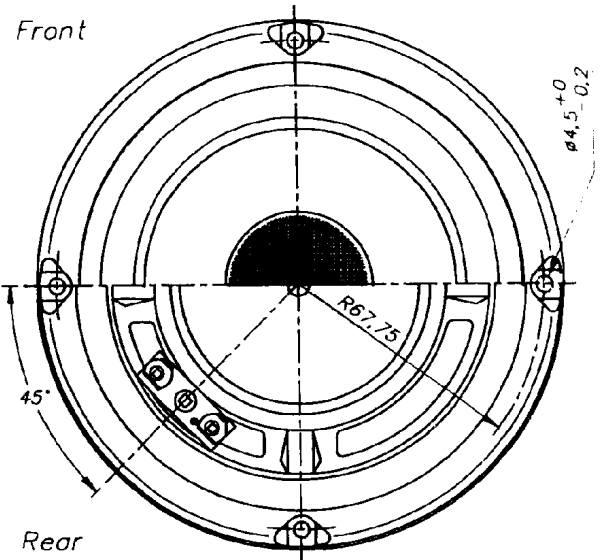
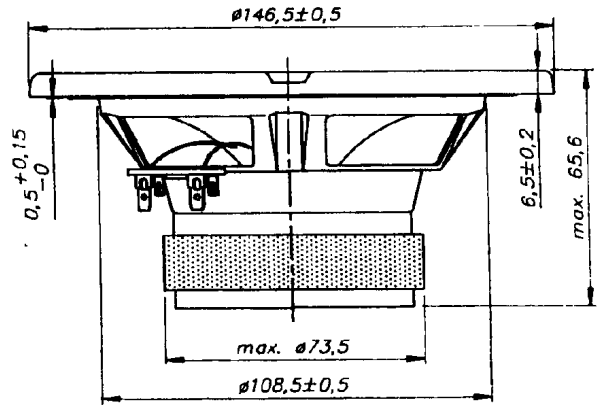
5" WOOFER

C13WG-19-08

SPECIAL FEATURES:

- HIGH DAMPING RUBBER SURROUND
- COATED PAPER CONE
- HIGH TEMPERATURE VOICE COIL
- BUILT IN DECOR RING
- SMOOTH FREQUENCY RESPONSE
- NEUTRAL MIDRANGE REPRODUCTION
- IDEAL FOR BASS REFLEX

NOMINAL IMPEDANCE	8 Ω
NOMINAL POWER (IEC 268-5)	50 W
MUSIC POWER (DIN 45500)	75 W
FREQUENCY RANGE	55-5000 Hz
SENSITIVITY (1W, 1m)	88 dB
EFFECTIVE CONE AREA	80 cm ²
VOICE COIL RESISTANCE	5,5 Ω
VOICE COIL INDUCTANCE	0,7 mH
OPERATING POWER	6,3 W
VOICE COIL DIAMETER	25 mm
VOICE COIL HEIGHT	10 mm
AIR GAP HEIGHT	6 mm
FREE AIR RESONANCE	55 Hz
MOVING MASS (incl. air)	7 g
FORCE FACTOR, B x l	4,9 Txm
MAGNET WEIGHT (8,5 oz)	240 g
Qms	1,4
Qes	0,55
Qts	0,39
Vas	12 ltr



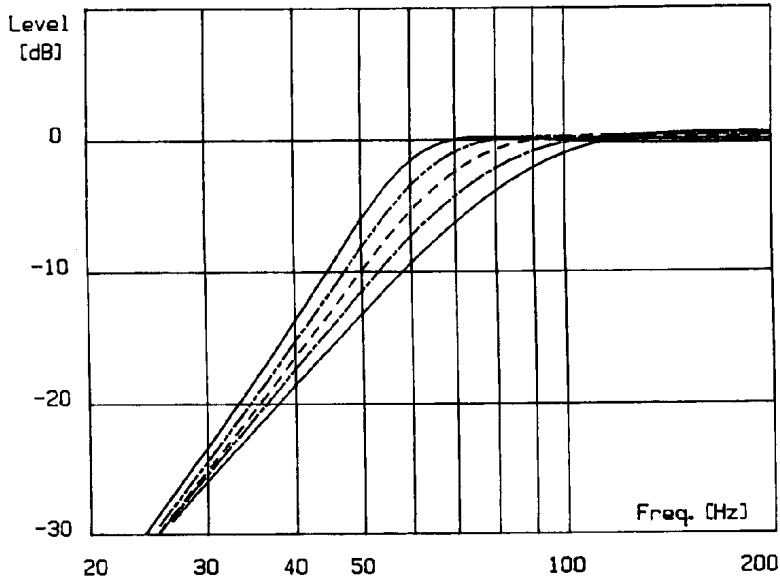
C13WG-19-08

Applications

BASS REFLEX SYNTHESIS

	Vb [litres]	Fb [Hz]	Dp [cm]	Lp [cm]
1—	5	64	3.5	8.0
2---	7	64	3.5	5.1
3---	10	64	5.0	7.3
4---	14	62	5.0	4.9
5—	20	59	7.5	9.2

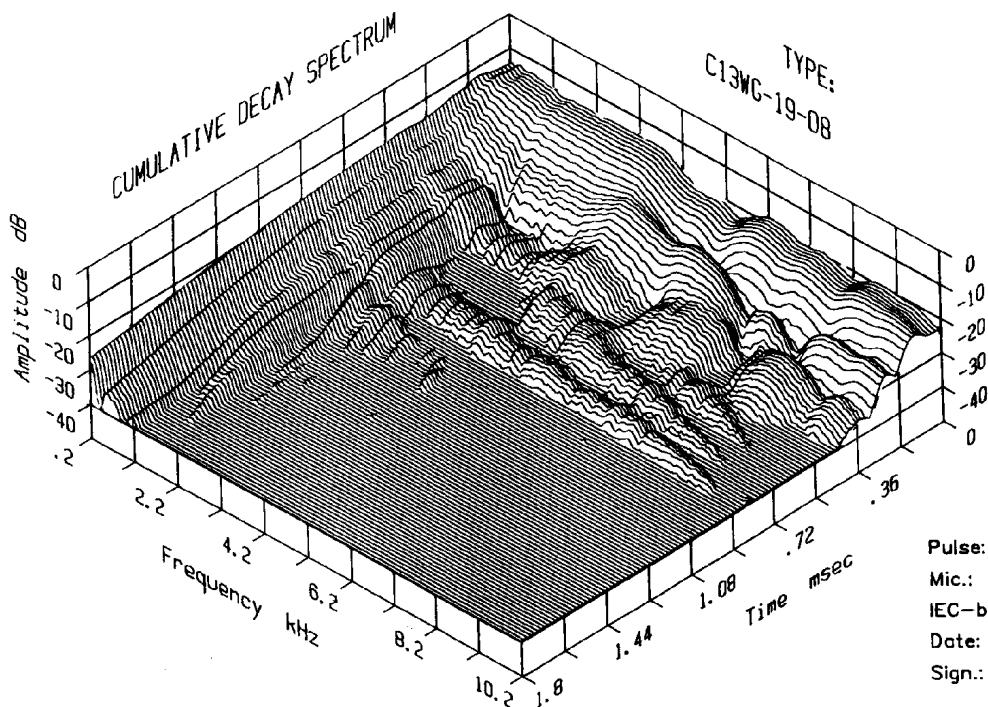
Vb: Box Volume
 Fb: Tuning Frequency
 Dp: Port Diameter
 Lp: Port Length



The C13WG-19-08 is designed as a small "general purpose" woofer. It may be used in 1.5-10 litres sealed enclosures (Q_t from 1.0 to 0.5), but the best result will be obtained in a 5-20 litres vented box.

Another application is as midrange for very low crossover frequencies.

* Please note that all responses are calculated with a 0.4Ω series resistance!!



Pulse: 10V/25μS
 Mic.: 0,15 m
 IEC-baffle
 Date: 17.02.89
 Sign.: LG