

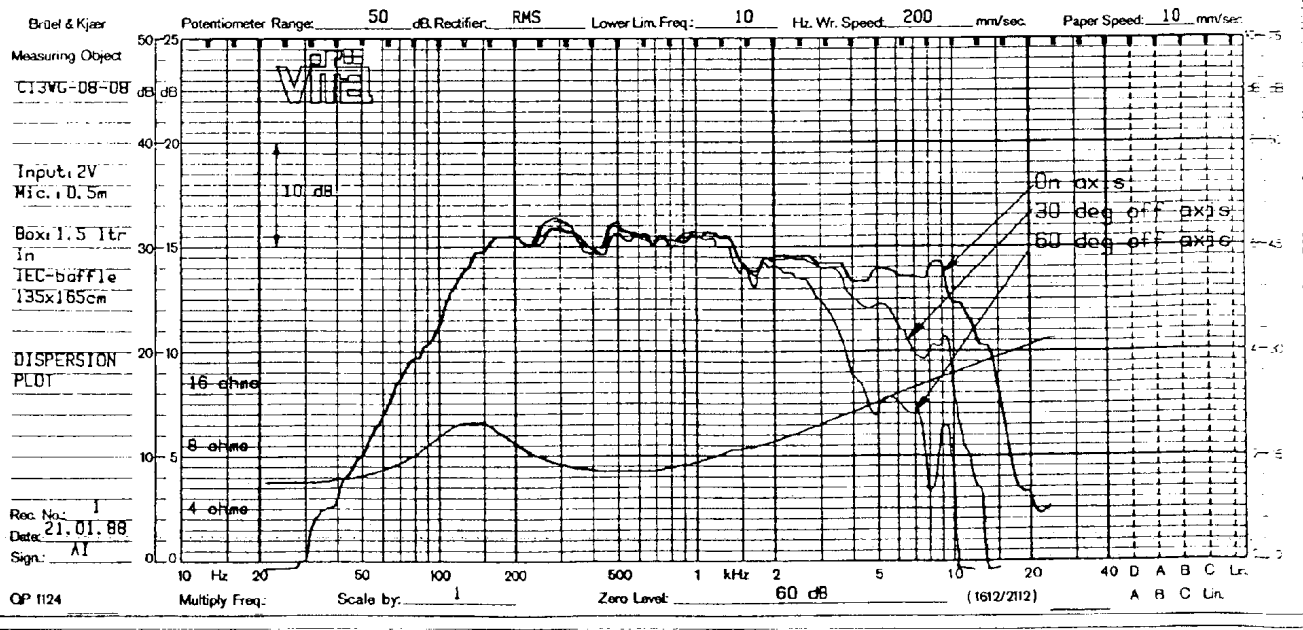
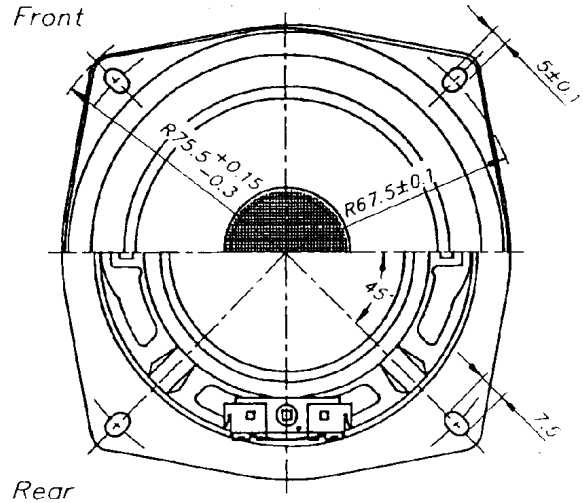
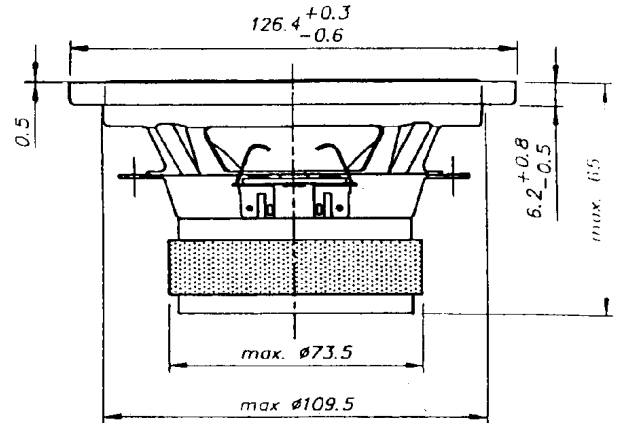
5" WOOFER

C13WG-08-08

SPECIAL FEATURES:

- LOW DAMPING RUBBER SURROUND
- SMOOTH ROLL OFF
- OPTIMIZED OFF AXIS RESPONSE
- NEUTRAL MIDRANGE REPRODUCTION
- COATED PAPER CONE

NOMINAL IMPEDANCE	8 Ω
NOMINAL POWER (IEC 268-5)	35 W
MUSIC POWER (DIN 45500)	70 W
FREQUENCY RANGE	48-6000 Hz
SENSITIVITY (1W, 1m)	88 dB
EFFECTIVE CONE AREA	80 cm ²
VOICE COIL RESISTANCE	5,5 Ω
VOICE COIL INDUCTANCE	0,7 mH
OPERATING POWER	6,3 W
VOICE COIL DIAMETER	25 mm
VOICE COIL HEIGHT	10 mm
AIR GAP HEIGHT	6 mm
FREE AIR RESONANCE	48 Hz
MOVING MASS (incl. air)	6,6 g
FORCE FACTOR, B x l	4,5 Txm
MAGNET WEIGHT (8,5 oz)	240 g
Qms	2,4
Qes	0,54
Qts	0,44
Vas	15 ltr



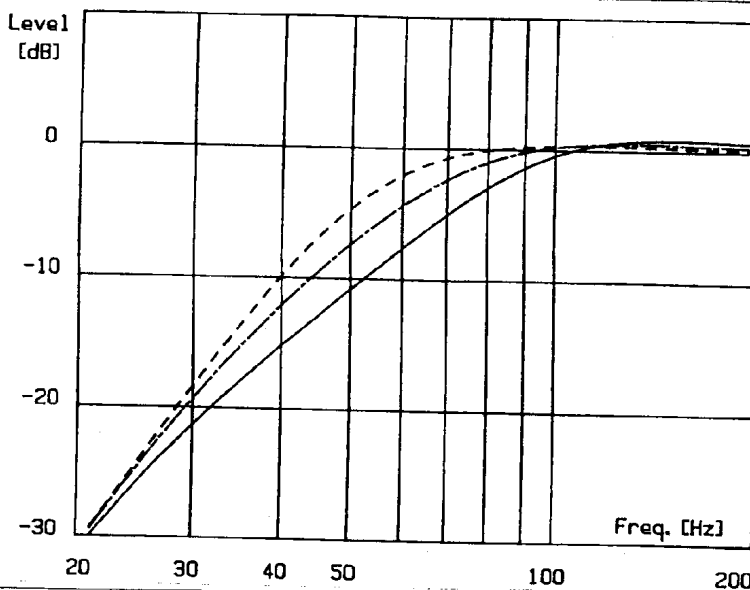
C13WG-08-08

Applications

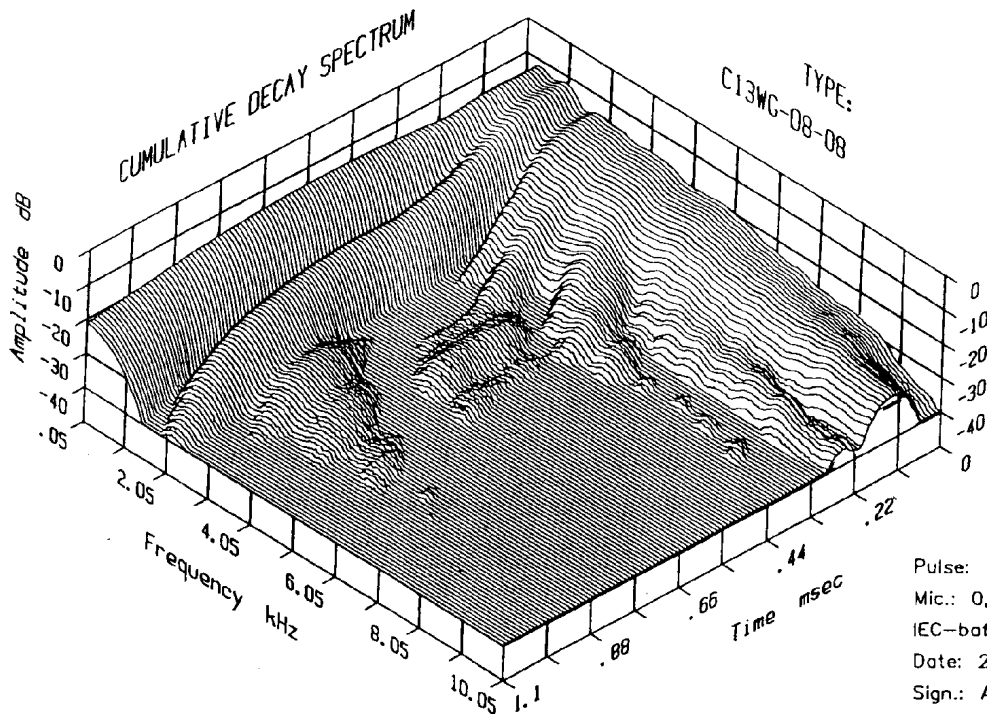
BASS REFLEX SYNTHESIS

	Vb [litre]	Fb [Hz]	Dp [cm]	Lp [cm]
1 ———	5	50	3,0	10,3
2 - - -	8	50	3,0	5,8
3 - - -	12	50	4,0	6,6

Vb: Box Volume
 Fb: Tuning Frequency
 Dp: Port Diameter
 Lp: Port Length



The C13WG-08-08 is designed as a small "general purpose" woofer. It may be used in 3-10 litres sealed enclosures, but the best result will be obtained in a 5-12 litres vented box. Another application is as midrange for very low crossover frequencies.



Pulse: 10V/15µS
 Mic.: 0,15 m
 IEC-baffle
 Date: 26.01.88
 Sign.: AI