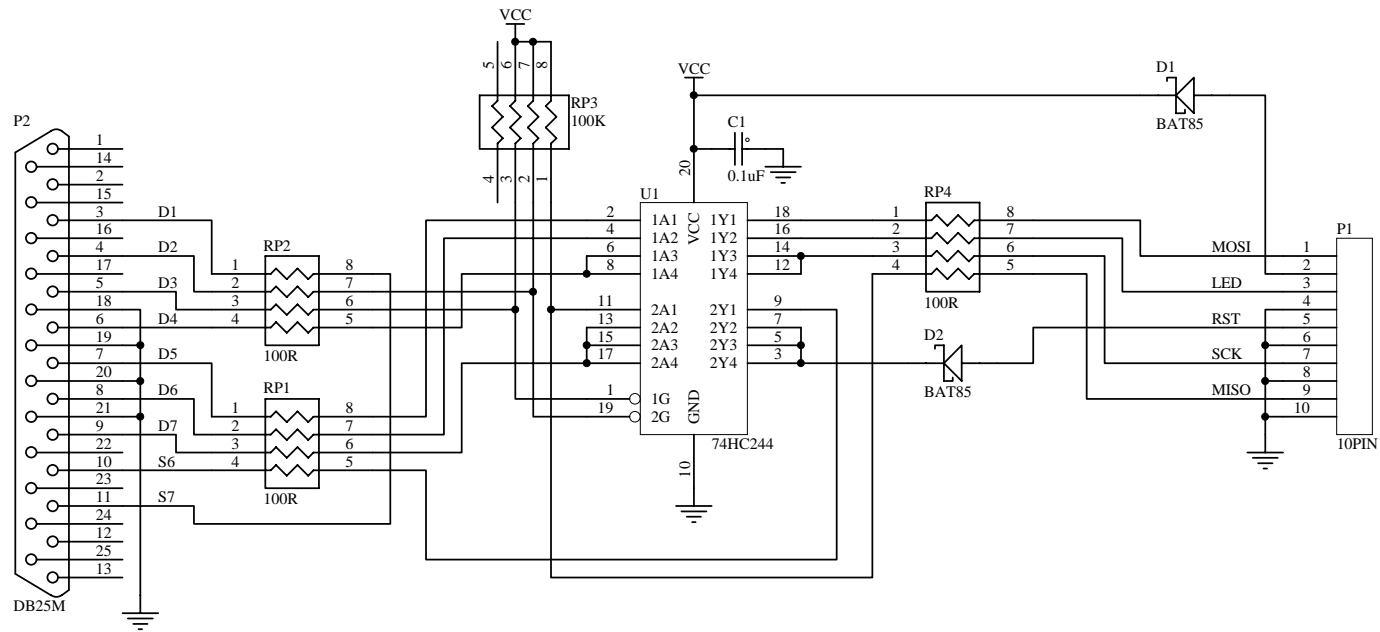


Title		
AVR 8515 PROJECT BOARD		
Size	Number	Revision
A3		
Date:	13-Mar-2002	Sheet 1 of 1
File:	C:\My Documents\Avr8515.ddb	Drawn By: LJP



Title		
STK200 DONGLE		
Size	Number	Revision
A4		
Date:	13-Mar-2002	Sheet 1 of 1
File:	C:\My Documents\Avr8515.ddb	Drawn By: LJP